

Without Radome



With Radome

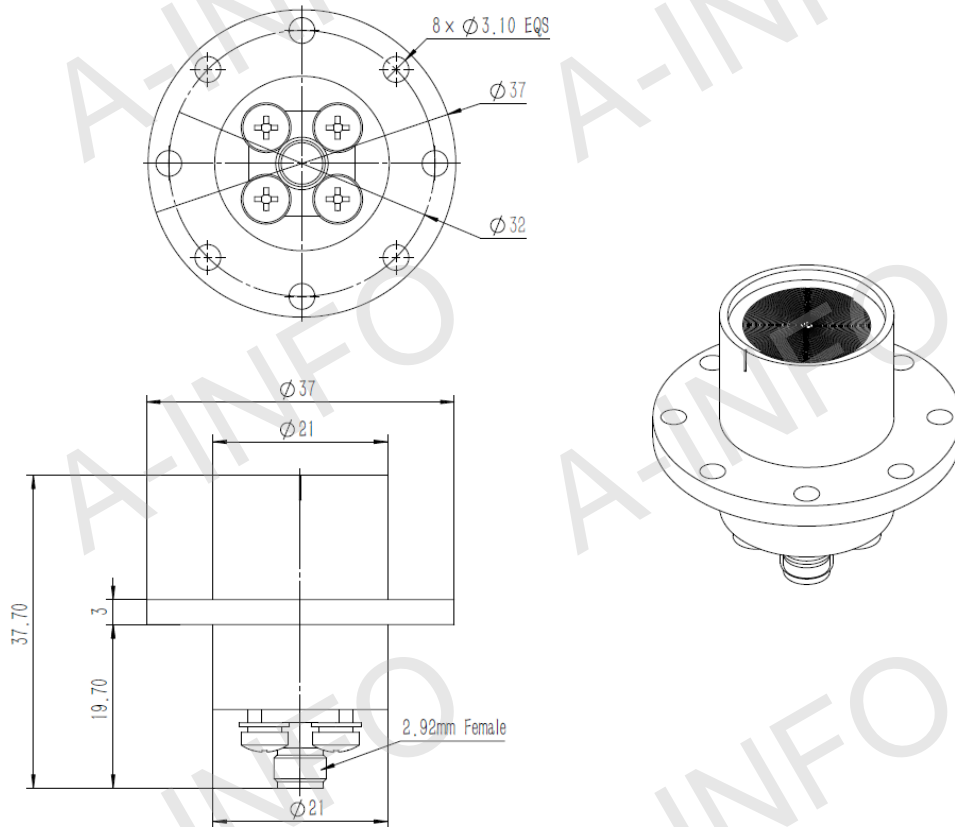


Technical Specification

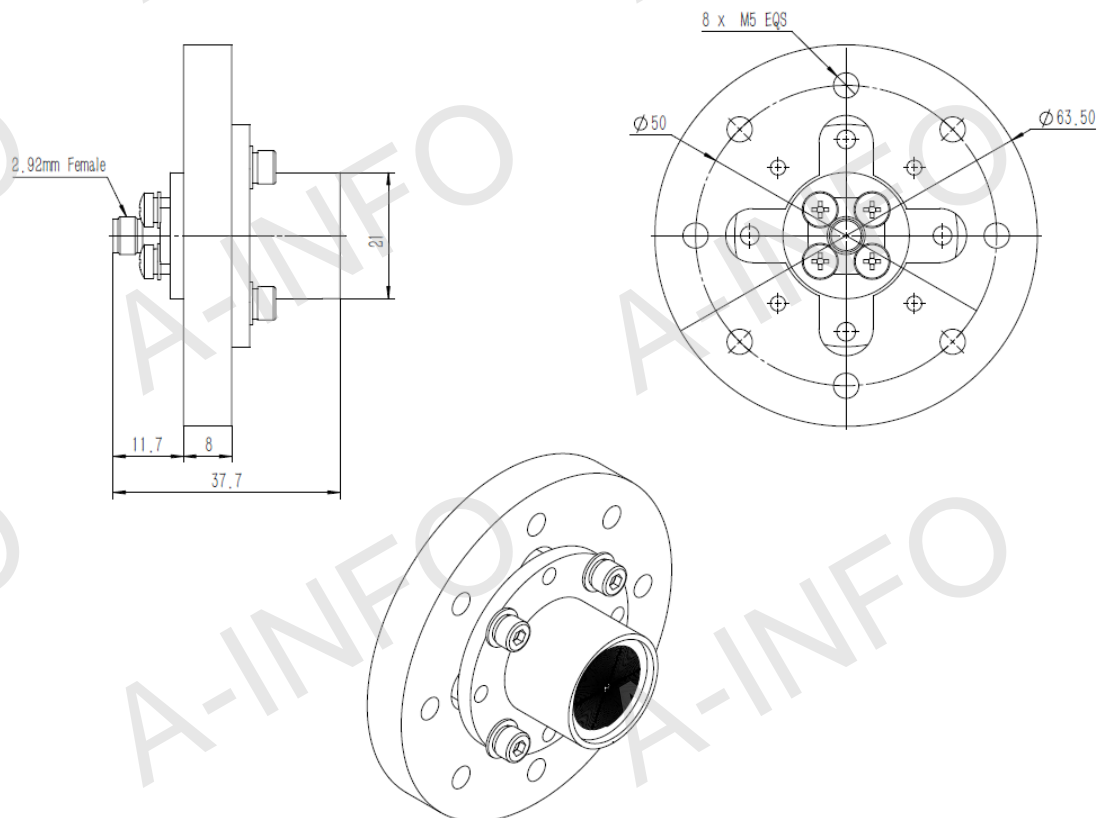
Polarization	LHCP or RHCP
Frequency Range(GHz)	18 - 40
Gain(dBic)	0 - 4
Axial Ratio(dB)	5.5 Max.
3dB Beamwidth(deg)	E: 100 - 45
	H: 95 - 40
VSWR	2.0:1 Typ.
	3.0:1 Max
Connector	2.92mm-Female
Material	Al
Size(mm)	Φ37 x 37.7
Net Weight(Kg)	0.05 Around

Outline Drawing (Size: mm)

With 2.92mm-Female Output



With 2.92mm-Female Output & Round Mounting Bracket



AINFO Inc.

Page 2 of 14

China(Beijing):
China(Chengdu):
USA :

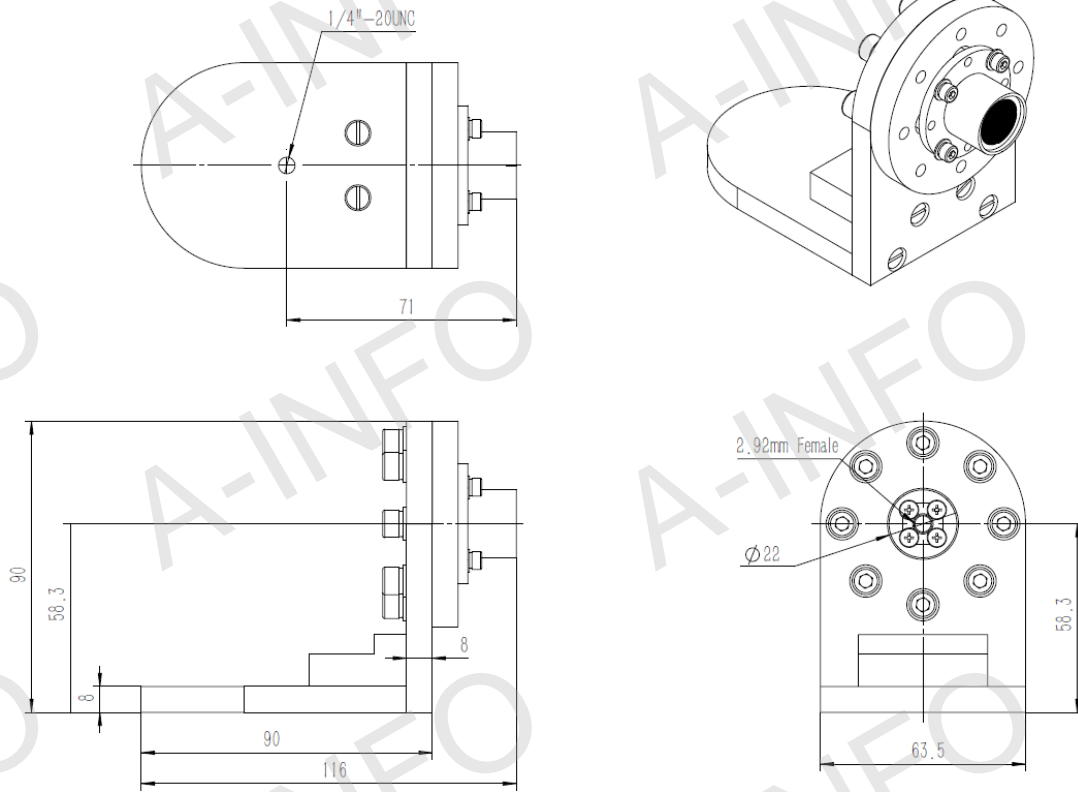
Tel: (+86) 10-6266-7326,
Tel: (+86) 28-8519-2786,
Tel: (+1) 949-639-9688,

(+86) 10-6266-7327
(+86) 28-8519-3044
(+1) 949-639-9608

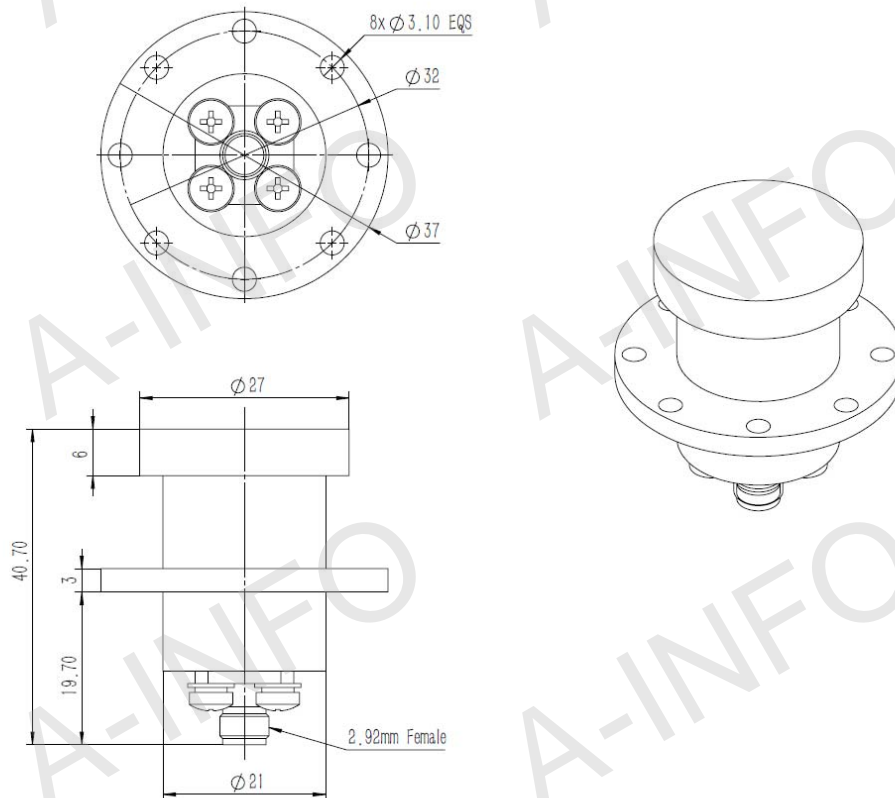
Fax: (+86) 10-6266-7379
Fax: (+86) 28-8519-3068
Fax: (+1) 949-639-9670

Website: www.ainfoinc.com
Email: sales@ainfoinc.com

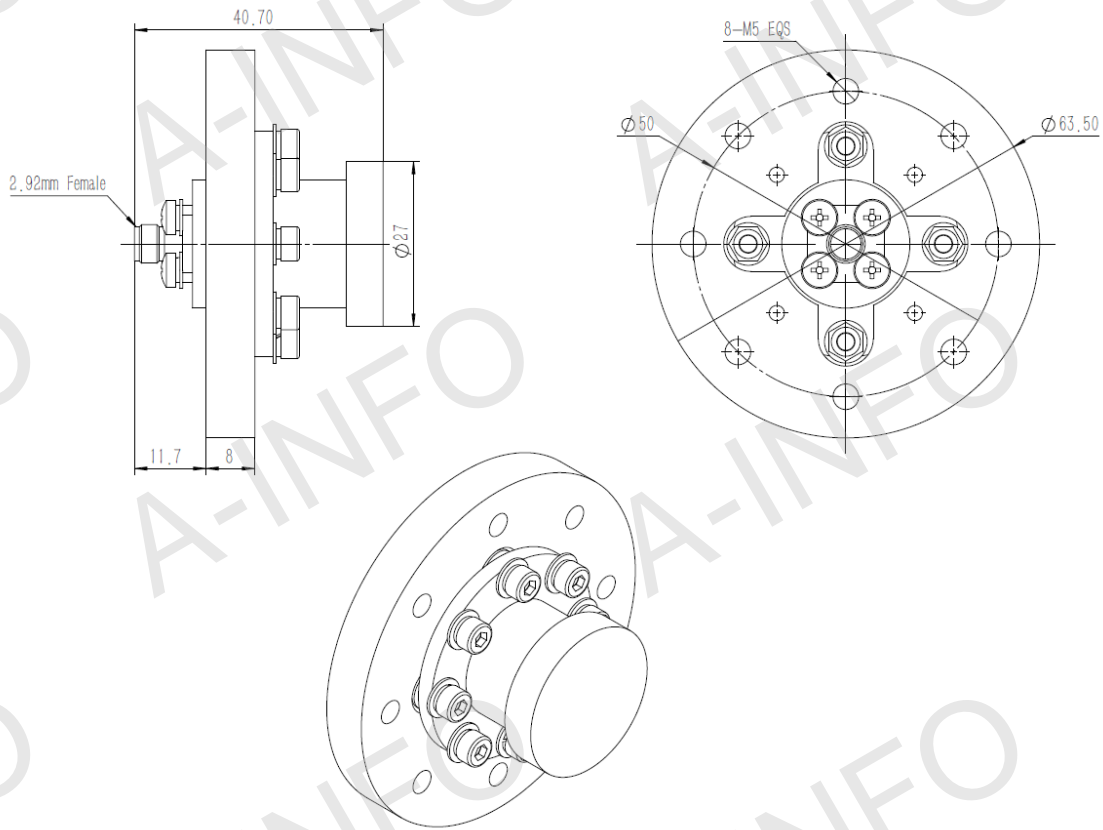
With 2.92mm-Female Output & L Type Mounting Bracket



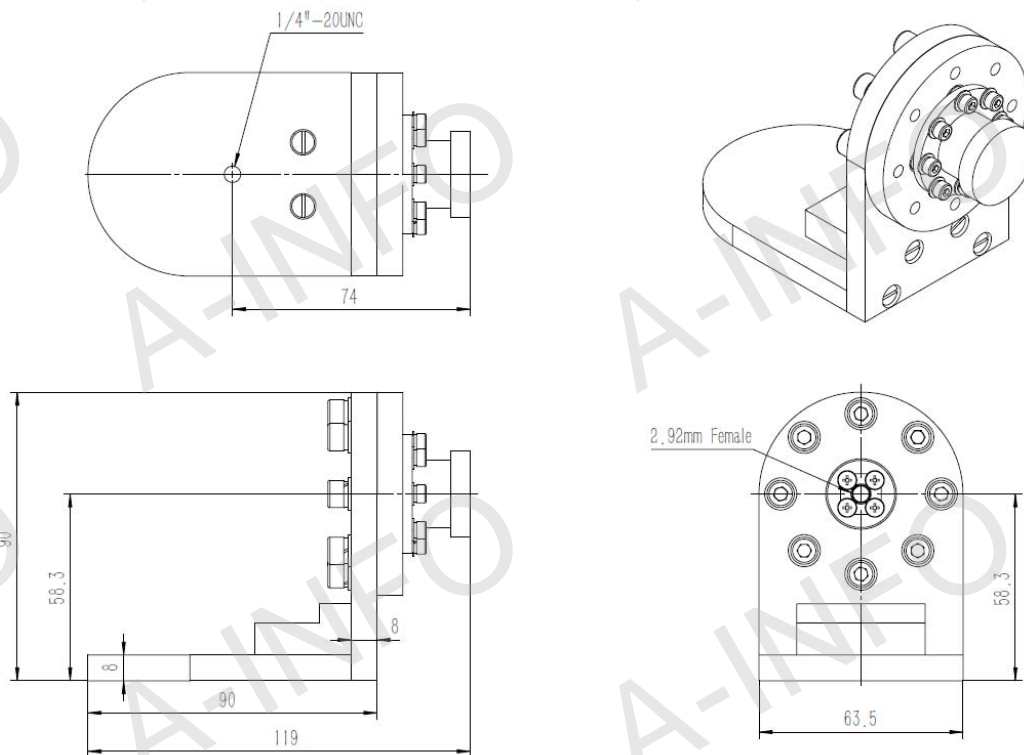
With 2.92mm-Female Output & Radome



With 2.92mm-Female Output & Round Mounting Bracket & Radome

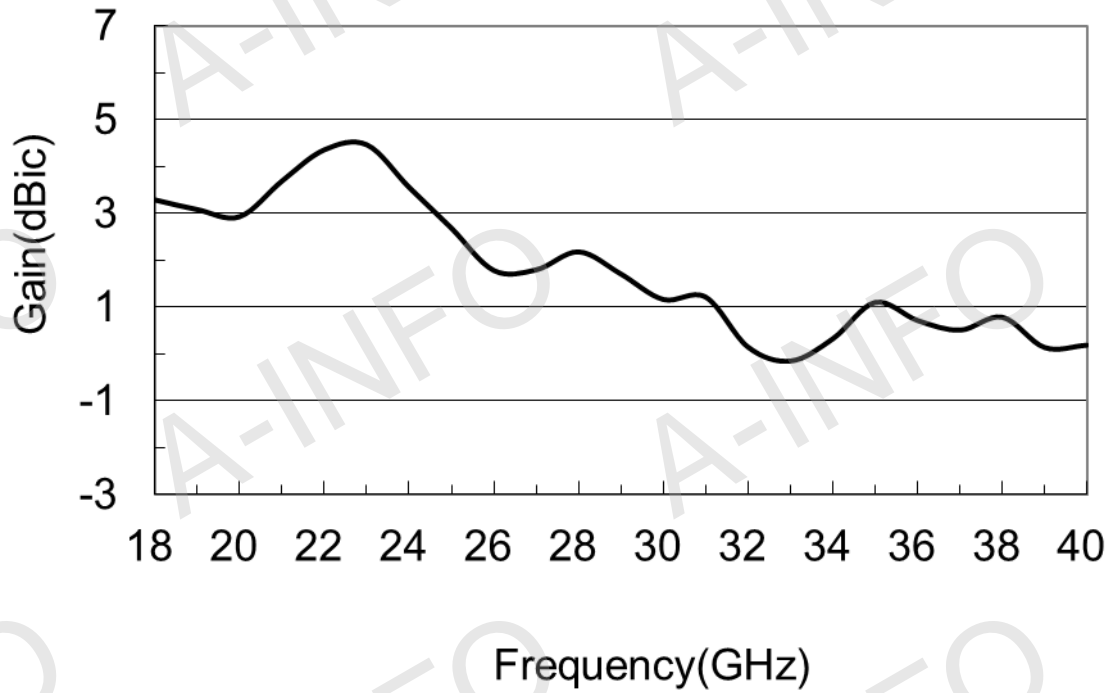


With 2.92mm-Female Output & L Type Mounting Bracket & Radome

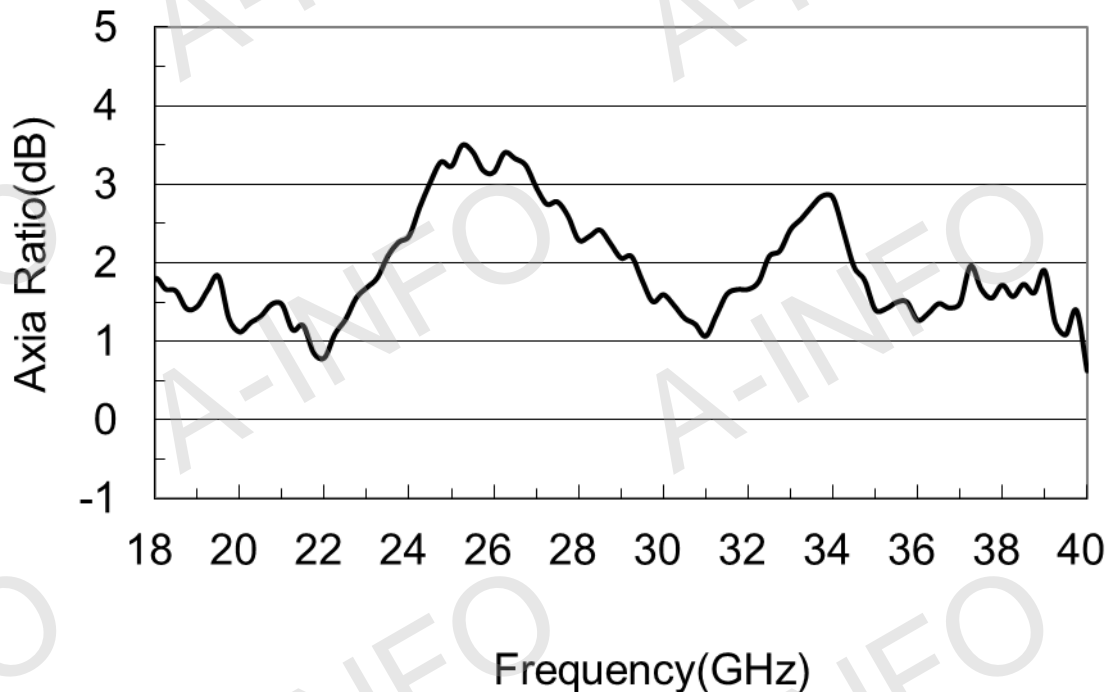


Test Results

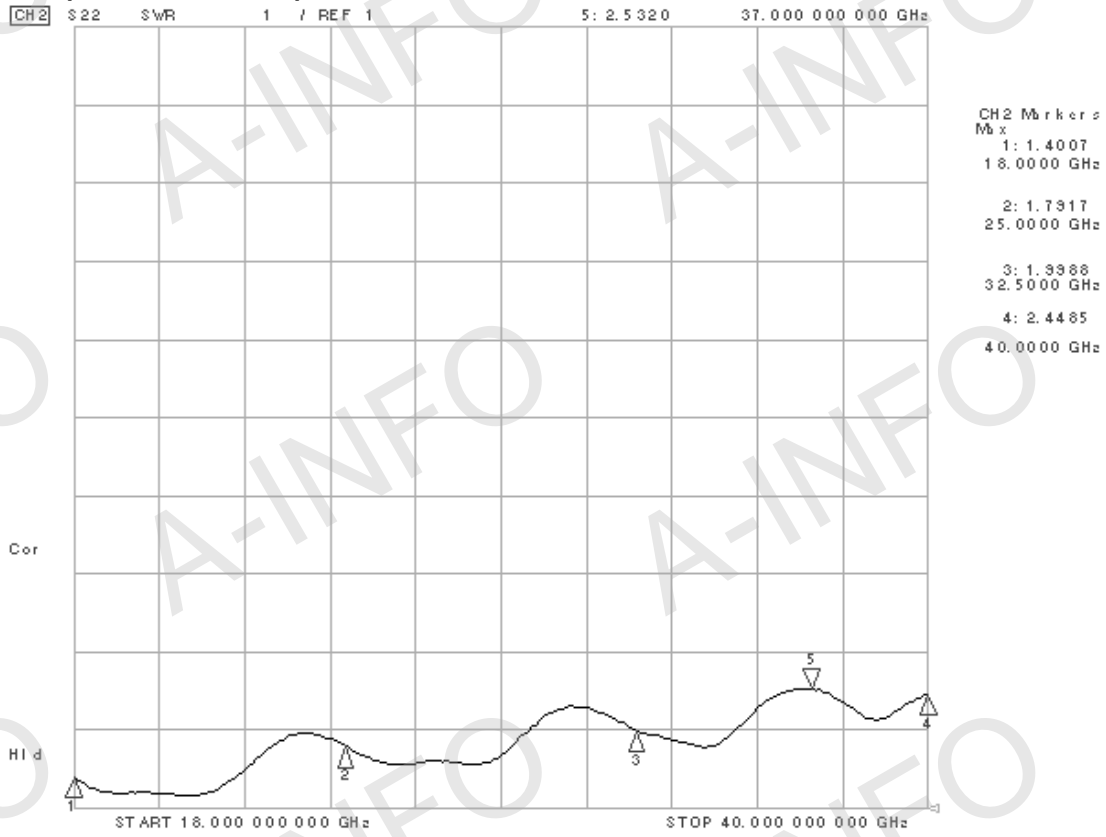
1. Gain (With Radome)



2. Axial Ratio (With Radome)



3. VSWR (With Radome)



4. Pattern (With Radome)

